

Single Column Compression Cell



FEATURES

- Capacities: 6 to 280t
- Low profile design
- Sealing: IP66 (EN 60.529)
- Trimmed output ensures easy and accurate parallel connection of multiple load cells
- Specially designed mounting arrangements are available for vessel weighing

DESCRIPTION

The KSR is a sealed, single column, compression load cell.

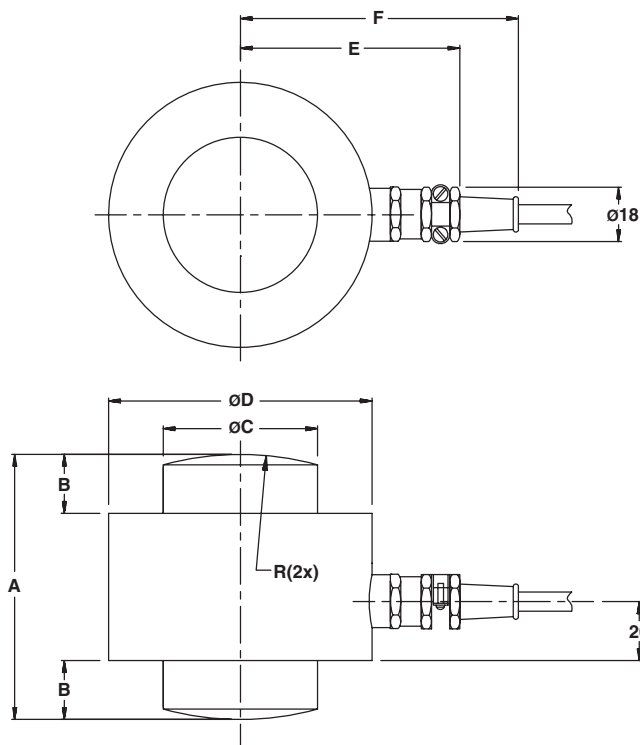
This product is suitable for high capacity platform scales and level control or process weighing in general.

A reliable sealing and mechanical protection of the strain gage area is ensured by the use of stainless steel diaphragms and a housing which are cemented to the measuring element.

APPLICATIONS

- Vessels weighing
- High capacity platforms
- Tank and silo
- Process weighing

OUTLINE DIMENSIONS in mm



E _{max}	6	13	28	60	130	280
A	56	68	74	90	116	170
B	8	12	14	20	26	45
C	16.7	24.5	36.0	52.7	77.5	114
D	45	55	64	90	121	165
E	52.5	57.5	62.0	75.0	90.5	112.5
F	71.5	76.5	81	94	109.5	131.5
R	50	66	72	100	125	183

Cable specifications:

Cable length: 10m (6t version: 5m)
 Excitation + Red
 Excitation - White
 Output + Black
 Output - Blue
 Shield Transparent / Yellow

Cable screen is not connected to load cell body.

SPECIFICATIONS

PARAMETER	VALUE		UNIT
	Non-Approved - R2	Non-Approved - R1	
Standard capacities (E_{max})	6, 13, 28, 60, 130, 280		ton
Accuracy class according to type designation	Non-Approved - R2	Non-Approved - R1	
Rated output (FSO)	1.5		mV/V
Rated output tolerance	0.008		±mV/V
Zero balance	1.5		±% FSO
Combined error	0.200	0.1000	±% FSO
Minimum dead load output return	0.0700	0.0500	±% FSO
Creep error (30 minutes)	0.0800	0.0600	±% FSO
Creep error (20 - 30 minutes)	0.0200	0.0150	±% FSO
Temperature effect on minimum dead load output	0.025	0.025	±% FSO/5°C
Temperature effect on sensitivity	0.2500	0.2500	±% FSO/5°C
Minimum dead load	0		% E_{max}
Maximum safe over load	120		% E_{max}
Ultimate over load	300		% E_{max}
Maximum safe side load	10		% E_{max}
Deflection at E_{max}	0.35/ 0.53/ 0.80/ 1.22/ 1.85/ 2.67		mm
Excitation voltage	5 to 12		V
Maximum excitation voltage	15		V
Input resistance	275±30		Ω
Output resistance	245±0.2		Ω
Insulation resistance	≥50		MΩ
Compensated temperature range	-10 to +40		°C
Operating temperature range	-20 to +70		°C
Storage temperature range	-30 to +80		°C
Element material (DIN)	Tool steel		
Finish	Epoxy painting		
Sealing (DIN 40.050 / EN60.529)	IP66		

FSO-Full Scale Output

Mounting:

Correct mounting of the load cells is essential to ensure optimum accuracy and performance. Further information is available upon request.

Disclaimer

ALL PRODUCTS, PRODUCT SPECIFICATIONS AND DATA ARE SUBJECT TO CHANGE WITHOUT NOTICE.

Vishay Precision Group, Inc., its affiliates, agents, and employees, and all persons acting on its or their behalf (collectively, "Vishay Precision Group"), disclaim any and all liability for any errors, inaccuracies or incompleteness contained herein or in any other disclosure relating to any product.

The product specifications do not expand or otherwise modify Vishay Precision Group's terms and conditions of purchase, including but not limited to, the warranty expressed therein.

Vishay Precision Group makes no warranty, representation or guarantee other than as set forth in the terms and conditions of purchase. **To the maximum extent permitted by applicable law, Vishay Precision Group disclaims (i) any and all liability arising out of the application or use of any product, (ii) any and all liability, including without limitation special, consequential or incidental damages, and (iii) any and all implied warranties, including warranties of fitness for particular purpose, non-infringement and merchantability.**

Information provided in datasheets and/or specifications may vary from actual results in different applications and performance may vary over time. Statements regarding the suitability of products for certain types of applications are based on Vishay Precision Group's knowledge of typical requirements that are often placed on Vishay Precision Group products. It is the customer's responsibility to validate that a particular product with the properties described in the product specification is suitable for use in a particular application.

No license, express, implied, or otherwise, to any intellectual property rights is granted by this document, or by any conduct of Vishay Precision Group.

The products shown herein are not designed for use in life-saving or life-sustaining applications unless otherwise expressly indicated. Customers using or selling Vishay Precision Group products not expressly indicated for use in such applications do so entirely at their own risk and agree to fully indemnify Vishay Precision Group for any damages arising or resulting from such use or sale. Please contact authorized Vishay Precision Group personnel to obtain written terms and conditions regarding products designed for such applications.

Product names and markings noted herein may be trademarks of their respective owners.