



www.zemic.nl

Model: **L6J1**

Platform Cell

RoHS

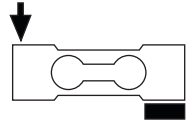


Features

- Capacities: 0.3kg ~ 3kg
- High accuracy
- Aluminum cantilever beam structure
- Max. platform size: 200 × 200

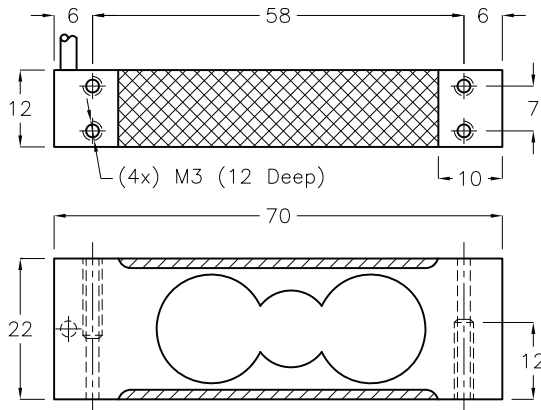


Specifications



Capacity	kg	0.3 / 0.4 / 0.5 / 0.6 / 1 / 3		
Output Sensitivity	mv/v	1.0 ± 0.1		
Accuracy Class		C3D	C3	C3G
Max. Number of Verification Intervals		2500	3000	4000
Minimum Loadcell Verification Interval	g	E _{max} /5000	E _{max} /7000	E _{max} /11000
Temperature Effect on Zero	%FS/10°C	≤ ± 0.0280	≤ ± 0.0200	≤ ± 0.0127
Temperature Effect on Sensitivity	%FS/10°C	≤ ± 0.0210	≤ ± 0.0175	≤ ± 0.0131
Combined Error	%FS	≤ ± 0.0300	≤ ± 0.0200	≤ ± 0.0150
Creep	%FS	≤ ± 0.0200	≤ ± 0.0167	≤ ± 0.0125
Input Resistance	Ω	394 ± 6		
Output Resistance	Ω	350 ± 3		
Insulation Resistance	MΩ	≥ 5000		
Zero Balance	%FS	2		
Rated Temperature	°C	-10 ~ +40		
Temperature, Operating	°C	-20 ~ +50		
Excitation, Recommended	v	5 ~ 15		
Safe Overload	%FS	150		
Ultimate Overload	%FS	300		

Dimension



Note: Dimensions in millimeters

Wiring:

Cable length: 0.45 ± 0.05 m.
Cable diameter: 3.0 ± 0.2 mm.

